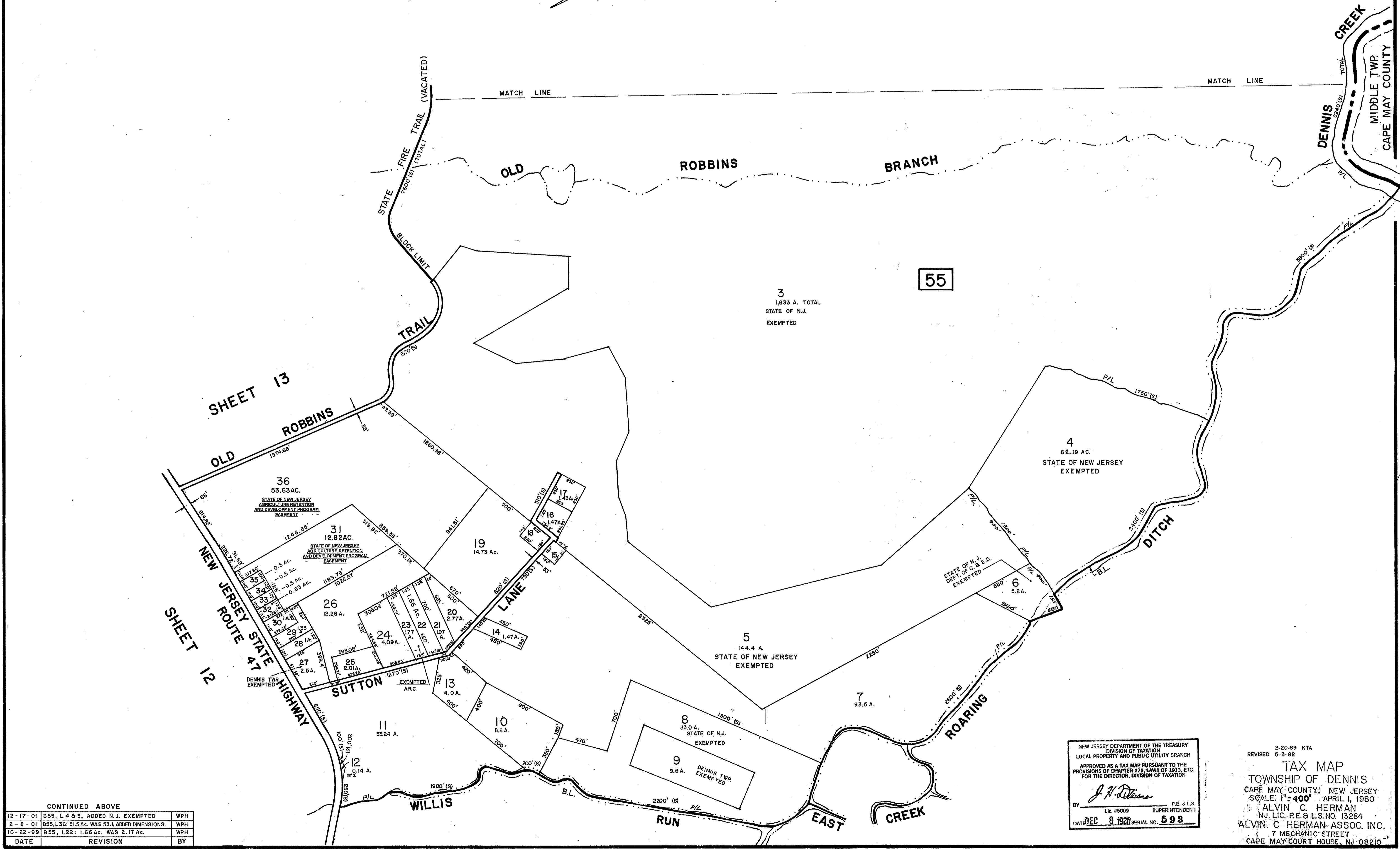
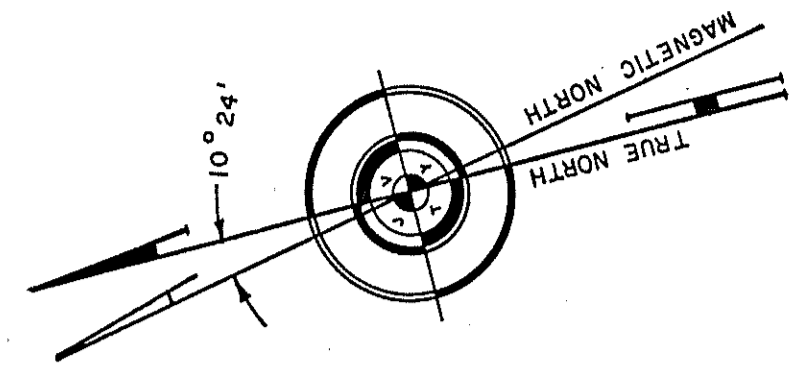


REVISIONS		
DATE	NAME OF P.L.S.	LICENSE # OF P.L.S.
9/24/02	J.R. WALKER	10294
9/3/04	J.R. WALKER	10294
10/23/06	B.A. GLEISSNER	34483



DATE	REVISION	BY
12-17-01	B55, L 4 & 5, ADDED N.J. EXEMPTED	WPH
2-8-01	B55, L36: 51.5 Ac. WAS 53.1, ADDED DIMENSIONS.	WPH
10-22-99	B55, L22: 1.66 Ac. WAS 2.17 Ac.	WPH

NEW JERSEY DEPARTMENT OF THE TREASURY
 DIVISION OF TAXATION
 LOCAL PROPERTY AND PUBLIC UTILITY BRANCH
 APPROVED AS A TAX MAP PURSUANT TO THE
 PROVISIONS OF CHAPTER 173, LAWS OF 1913, ETC.
 FOR THE DIRECTOR, DIVISION OF TAXATION

J. H. Deane
 BY Lic. #5009 SUPERINTENDENT
 DATE DEC 8 1900 SERIAL NO. 598

2-20-89 KTA
 REVISED 5-3-82

TAX MAP
 TOWNSHIP OF DENNIS
 CAPE MAY COUNTY, NEW JERSEY
 SCALE: 1" = 400' APRIL 1, 1980

ALVIN C. HERMAN
 NJ. LIC. P.E. & L.S. NO. 13284
 ALVIN C. HERMAN ASSOC. INC.
 7 MECHANIC STREET
 CAPE MAY COURT HOUSE, NJ 08210